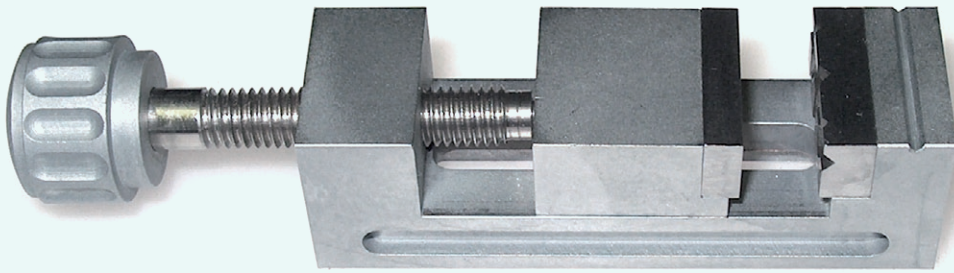


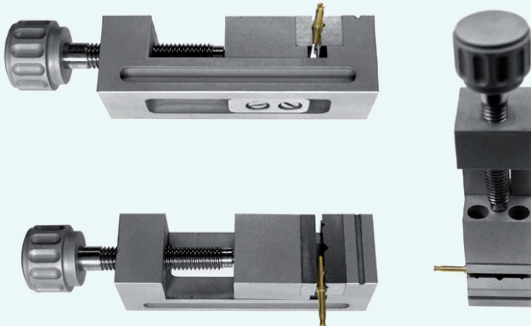
Mini precision parts vice



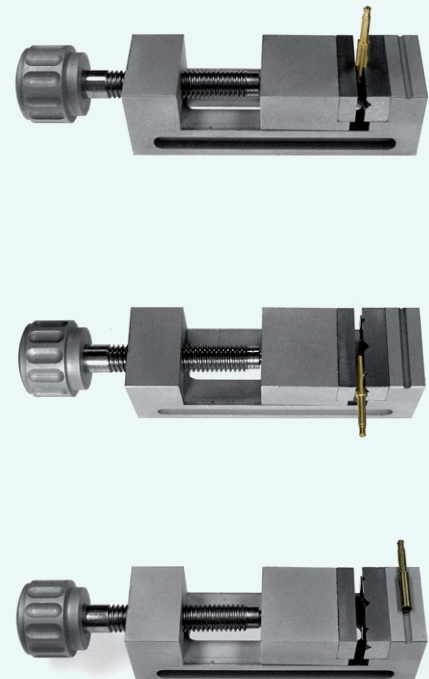
L x H x W : 15 x 15 x 80 mm

- ▶ Helps the fastening of parts for their optical & mechanical measurement
- ▶ Ideal for measuring turned parts

- ▶ Perpendicular conception utilizable on all faces



- ▶ Numerous possibilities to grip the part



- ▶ Tightening conceived for different part diameters



Part reference

WI MEP

BIMU SA

www.bimu.ch
e-mail : info@bimu.ch

represented by

Alouette Tool Co., Ltd
Your Source For Quality Swiss Tooling

1387 Fairport Road
Suite #780
Fairport, NY 14450

Phone 585-388-1240
Fax 585-388-1286
info@alouettetoolco.com
www.alouettetoolco.com