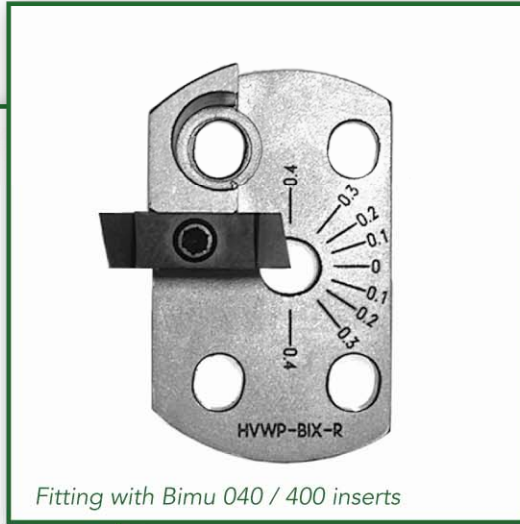


Turning toolholder for counter-operation with micrometric adjustment of the height



Precise adjustment of the height thanks to a excentric scew as well as a graduation every 0.1 mm



Fitting with Bimu 040 / 400 inserts

for machines

Citizen
Maier
Manhurin
Star
Tornos



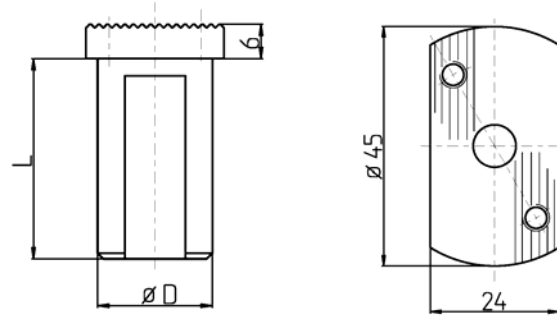
Fitting with ISO inserts

Vast choice of inserts

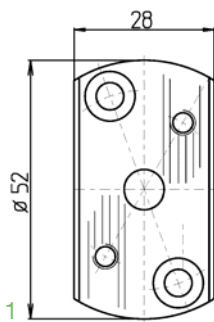
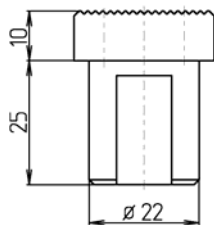
- ▶ ISO inserts for turning
- ▶ ISO + Bimu inserts for threading
- ▶ Bimu 040 + 400 line

Low cost pricing !

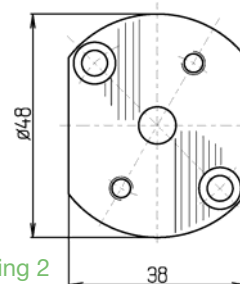
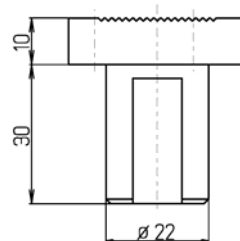
Shafts



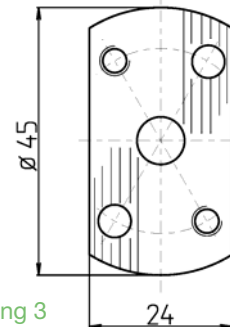
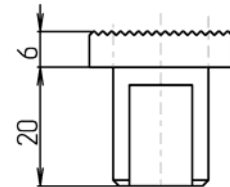
Reference	D	L	Machine
HVD1660	16	60	
HVD1960	¾"	60	Citizen L20/C16
HVD2060	20	60	Citizen B12
HVD2080	20	80	
HVD2012	20	125	Tornos DECO
HVD2270	22	70	STAR
HVD2560	25	60	
HVD2510	25	100	Manurhin Swing
HVD2512	25	125	Tornos DECO
HVD2670	1"	70	Citizen M/C32
HVD2885	28	85	Traub TNL 12/16
HVD2885IK	28	85	Traub TNL 12/16 with integrated coolant supply



Drawing 1



Drawing 2



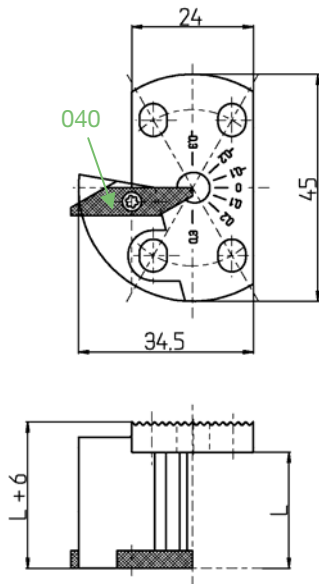
Drawing 3

Reference	D	L	Drawing	Machine
HVD2225	22	25	1	STAR SR20R ; ECAS12/20
HVD2230	22	30	2	SR32
HVD1620	16	20	3	SR16 SST16
HVD3419	34	19,5	-	Maier
HVD3444	34	44	-	Maier
HVD3444S	34	44	-	chaser STAR SR/SV
HVD3045	30	45	-	Maier

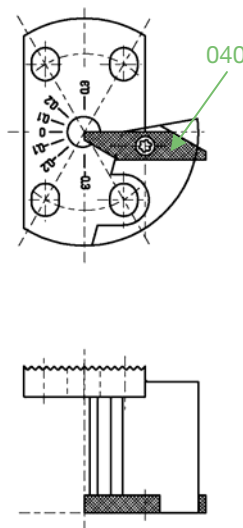
Heads

Bimu 040-400 toolholder

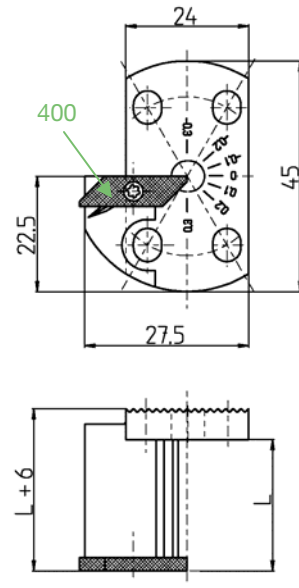
Drawing 1 - Left execution



Drawing 2 - Right execution

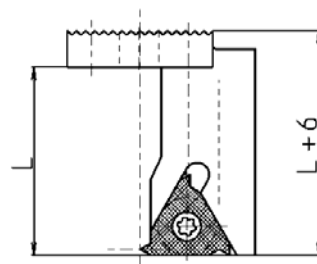
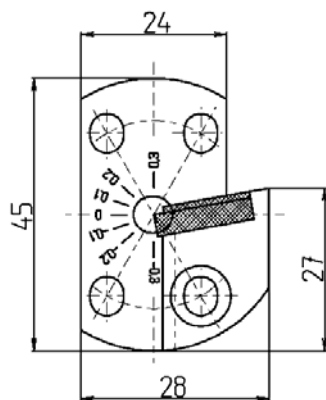


Drawing 3 - Left execution



Reference	Execution	Insert	L	Drawing
HVWP-BI040R	right	BIMU-040	23	2
HVWP-BI040L	left	BIMU-040	23	1
HVWP-BIX-R	right	BIMU-400	26	3
HVWP-BIX-L	left	BIMU-400	26	3
HVWPL-BIX-R	right	BIMU-400	43	3
HVWPL-BIX-L	left	BIMU-400	43	3

16ER threading toolholder

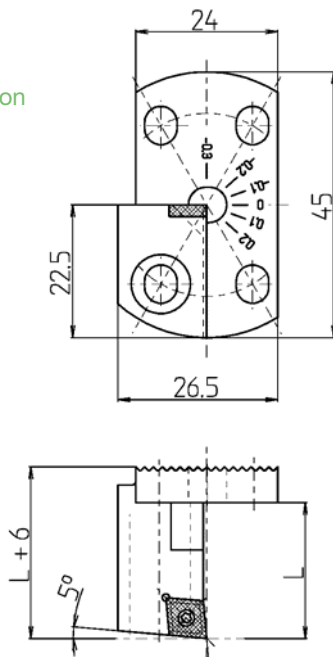


Reference	Execution	Helix angle	Insert	L
HVWP-16ER-0	right	0°	16ER ISO	31
HVWP-16ER-15	right	1,5°	16ER ISO	31
HVWP-16ER-3	right	3°	16ER ISO	31
HVWPL-16ER-15	right	1,5°	16ER ISO	40
HVWPL-16ER-3	right	3°	16ER ISO	40

ISO : CC... / DC... toolholder

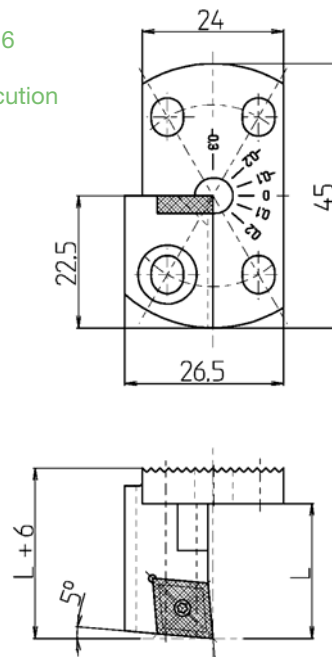
Drawing 5

Left execution



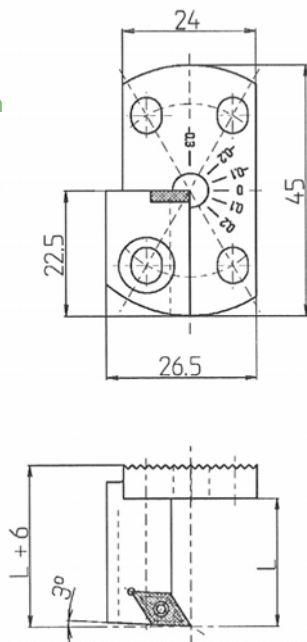
Drawing 6

Left execution



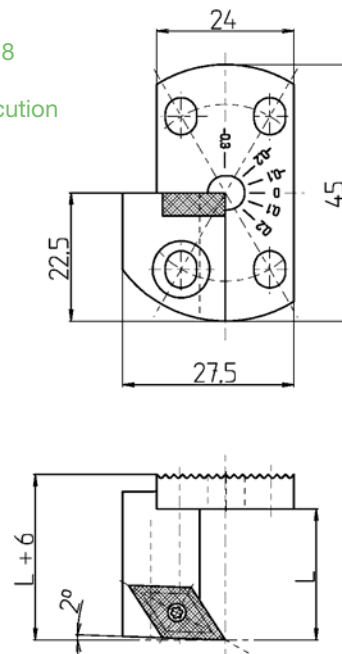
Drawing 7

Left execution



Drawing 8

Left execution

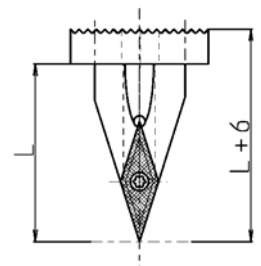
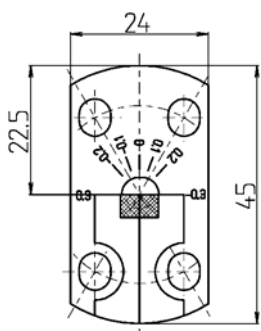


Reference	Execution	Insert	L	Drawing
HVWP-SCJCR06	right	CC--0602	23	5
HVWP-SCJCL06	left	CC--0602	23	5
HVWP-SCJCR09	right	CC--09T3	23	6
HVWP-SDJCL09	left	CC--09T3	23	6
HVWP-SDJCR07	right	DC--0702	23	7
HVWP-SDJCL07	left	DC--0702	23	7
HVWP-SDJCR11	right	DC--11T3	23	8
HVWP-SDJCL11	left	DC--11T3	23	8
HVWPL-SDJCR11	right	DC--11T3	40	8
HVWPL-SDJCL11	left	DC--11T3	40	8

ISO : VC... toolholder

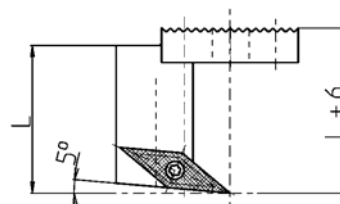
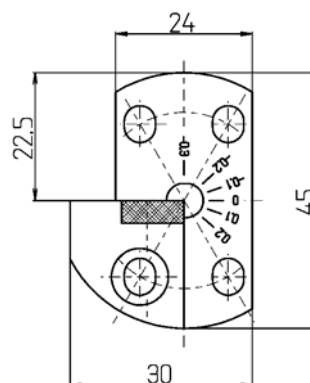
Drawing 9

Neutral execution

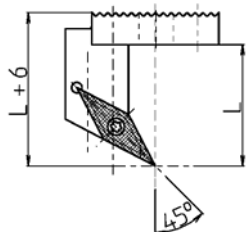
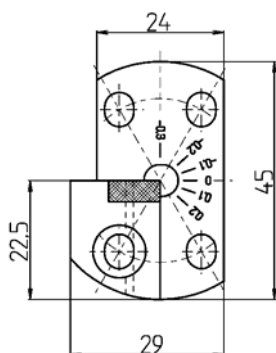


Drawing 10

Left execution

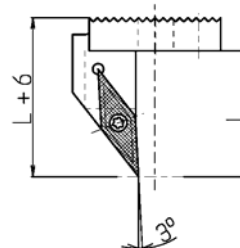
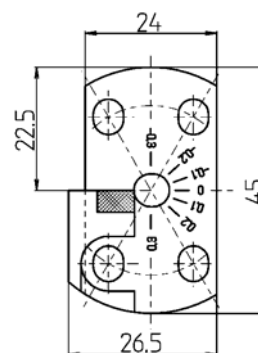


Drawing 11



Drawing 12

Left execution



Reference	Execution	Insert	L	Drawing
HVWP-SVVCN11	neutral	VC..1103	31	9
HVWP-SVJCR11	right	VC..1103	23	10
HVWP-SVJCL11	left	VC..1103	23	10
HVWP-SVQCR11	right	VC..1103	23	11
HVWP-SVQCL11	left	VC..1103	23	11
HVWP-SVUCR11	right	VC..1103	23	12
HVWP-SVUCL11	left	VC..1103	23	12



Bimu SA
Rue du Quai 10
Case postale 50
CH-2710 Tavannes

Tél. 032 482 60 50
Fax 032 482 60 59
info@bimu.ch
www.bimu.ch

represented by

